

INSTALLATION INSTRUCTIONS

FRONT COUNTERWEIGHT
MFG. NO. 1690257



WARNING

Stop the engine, remove the key, set the parking brake, disengage the PTO and wait for moving parts to stop before installing the kit or making any adjustments.



WARNING

Never operate on slopes greater than 30% (16.7°).

To install one counterweight, use the 2 shorter pins provided and install as shown in figure 1. If installing on an early model 42" mower, use the smaller tabs as shown in figure 2.

To install two counterweights, use the two longer pins provided and install as shown in figure 3. The smaller tabs on the lower weight will be pointing toward front.



WARNING

After prolonged use, the early model 42" mower hitch may be hot. Allow to cool before installing or removing counterweight.

USING FRONT MOUNTING HOLE OF AXLE,
ATTACH WEIGHT AS SHOWN USING TWO
PINS AND TWO SAFETY CLIPS.

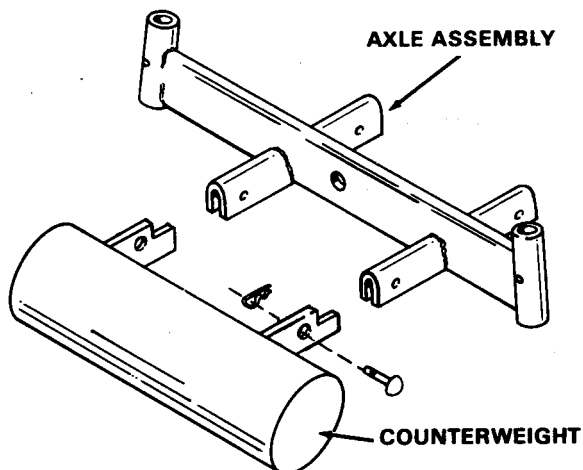


Figure 1. Counterweight

USING MOUNTING HOLES IN
MOWER HITCH, ATTACH WEIGHT
USING TWO PINS AND TWO
SAFETY CLIPS.

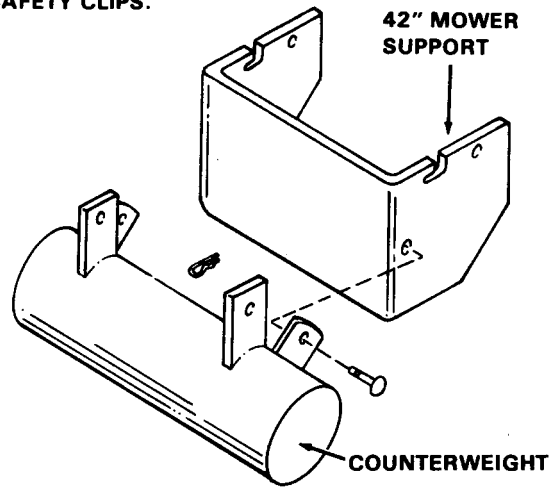


Figure 2. Installing Counterweight on Early Model 42" Mowers.

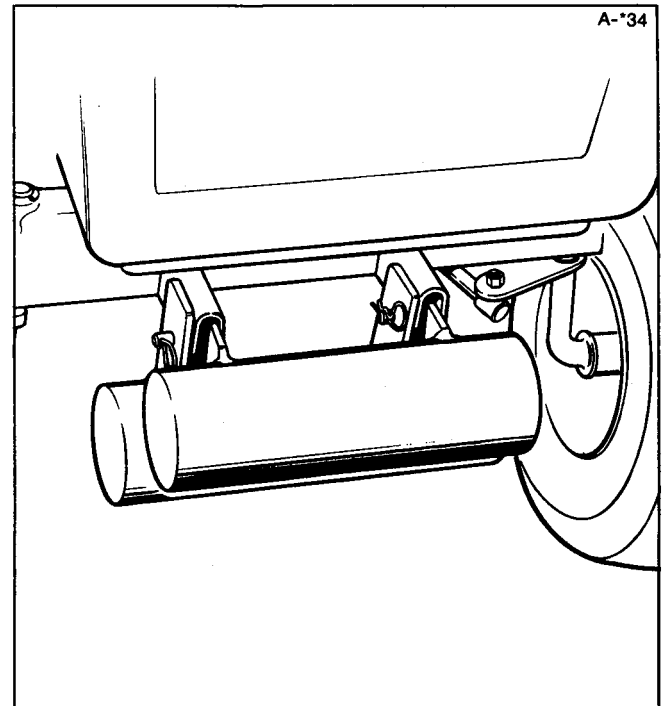


Figure 3. Two Counterweights Installed.

